

Description

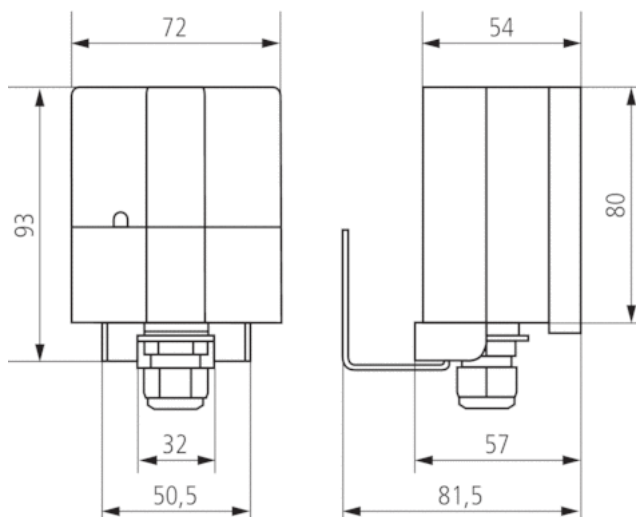


- Brightness and temperature sensor
- For brightness and temperature dependent controlling in outdoor areas
- 5 freely configurable channels: 1 sun protection channel and 4 universal channels
- Sun protection channel with automated sun protection especially for blind, awning and shutter applications
- Universal channels allow linking of brightness and temperature
- Brightness range from 1 - 100,000 lux
- Temperature range -20 °C to + 55 °C
- Learning object for brightness threshold

Technical data

Operating voltage KNX	Bus voltage, ≤5 mA
Installation type	Wall installation
Type of connection	KNX bus terminal
Measuring range brightness	1 – 100000 lx
Measuring range temperature	-20 °C ... +55 °C
Ambient temperature	-25 °C ... +55 °C
Type of protection	IP 54

Scale drawings



Accessories

Mast mounting WML1

- Article number: 9070925
Details ▶ www.theben.de



Mast mounting S

- Article number: 9070928
Details ▶ www.theben.de

